

POL706

Phone & Tablet Display

Ultra High Security



POL706--Mechanical security solution for phones and tablets which can not only secure the display merchandise but also allows for full interaction and mobility. It is easy to install and operate. Durable and stable, it can also work with LHT new KEY system to achieve instore zone management.

POL706

Benefits and Features

1. All-in-metal design offers the highest level of security, prevents cut & run theft
2. Grip from 4 corners allows for maximum accessibility for full consumer interaction with screen and buttons while in lockdown mode
3. Quick-release of merchandise in seconds allows for a mobile use or a full product experience
4. Portrait and landscape 180 degree rotation while in lockdown mode for more fun experience



POL706

Benefits and Features

No false alarm or adhesive hassle, engineered for high and long store ROI

1. NO adhesives NO sensors-----NO false alarm hassle
2. OEM power cable pass through design-----NO high maintenance costs
3. Adjustable and exchangeable gripper sets for one size fits all feature-----Use the same equipment over again when the displayed merchandise changes from old models to the latest, from phone to tablet, and when store layout and fixture retrofits
4. Can be mounted onto any surface, either at table top or vertical wall or inclined surfaces-----Save cost, Save environment!



SK100W

Benefits and Features

1. Works with Prokey, plug and play.
2. Automatic code allows localized management;



POL706

Application Area

- Electronics retailers, telecom providers, openly display mobile devices under POL706 full protection.
- In business and public environments, use POL706 to transform tablets to sales & marketing tool, POS, information kiosks, etc.



Education



Retail



Manufacturing



Exhibition & Museums



Offices



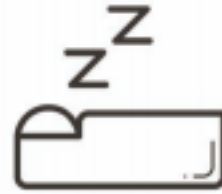
Healthcare



Banks



Restaurants



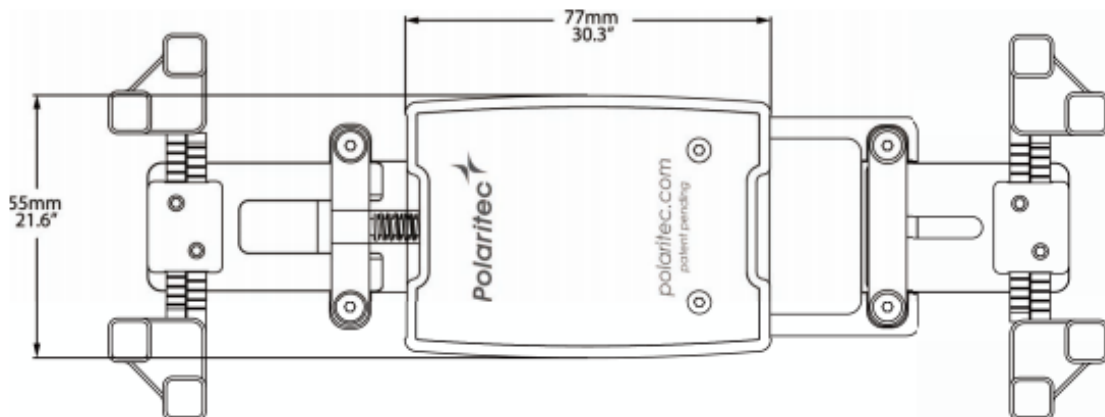
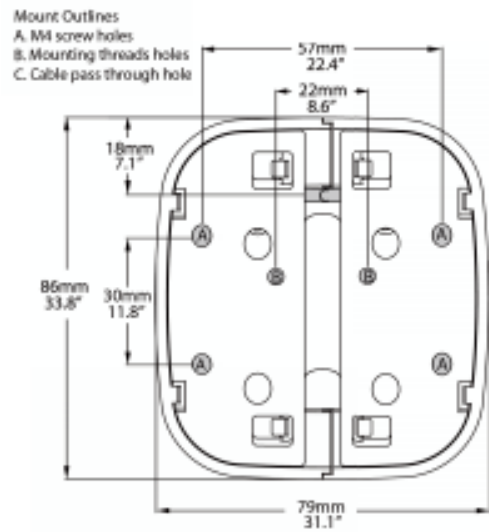
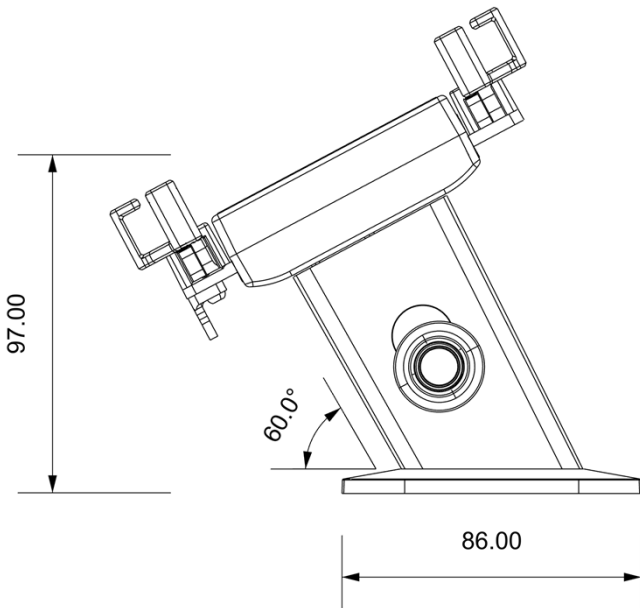
Hospitality



Information Kiosks

POL706

Specifications



Phones gripper set
 Width: 56~96mm
 Length: 114~186mm

Tablets gripper set
 Width: 103~196mm
 Length: 182~254mm

Packing

POL706 Phone	Carton Qty: 8 sets
Post with Phone Grippers and Arms	*1
Installation & Maintenance Kit	Allen key, Screw for Arm*2, Screw for Grippers*2
Mounting Kit	3M adhesive*1 set, mounting screw*4, mounting threaded nod*2, wing nut *2

POL706 Tablet	Carton Qty: 9 sets
Post with Tablet Arms	*1
Tablet Grippers	*1 set
Installation & Maintenance Kit	Allen key, Screw for Arm*2, Screw for Grippers*2
Mounting Kit	3M adhesive*1 set, mounting screw*4, mounting threaded nod*2, wing nut *2

Product Ordering

Security Set

Model	Description	Color
POL706W_V1-Phone	Security set for phones	White
POL706W_V1-Tablet	Security set for tablets	White
POL706W-Base	Rotating mounting base (Optional)	White

Smart Key

Model	Description	Color
SK100W	Intelligent remote control	Black
proKey	Key management	Red